



## For large numbers of people

At swimming pools, sports stadiums or public toilets – MPP turnstiles are the ideal choice wherever large numbers of people must be reliably individualised and managed. The robust housings and stainless steel barrier arms not only withstand improper use, but are also suitable for outdoor applications (option).

MPP turnstiles offer versatile operation: a large number of people can easily be managed with one of the many applications available while bi-directional operation permits a single turnstile to act as both entrance and exit. And MPP turnstiles are ideally equipped for emergencies: The barrier allows free passage if there

is a power outage or an alarm signal. With the Drop-Arm option, the upper arm drops downwards and thus provides free passage. The arm automatically returns to its original position after the emergency contact reopens or power has been restored. The innovative MHTM™ drive technology operates without maintenance, energy-efficiently and quietly, and its sensitive impact detection ensures maximum personal safety. MPP turnstiles can be controlled using all common access control systems and are available with three housing variants.



### Rapid individualisation

Thanks to its turnstile design, the MPP is suitable for the rapid individualisation of large numbers of people in areas with low-to-medium security requirements.



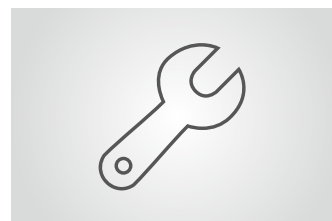
### Innovative drive technology

The MHTM™ drive unit operates without maintenance, energy-efficiently and quietly. Sensitive impact detection ensures maximum personal safety.



### Free escape routes

The barrier allows free passage if there is a power outage or an alarm signal. With the Drop-Arm option, the upper arm drops downwards and thus provides free passage. The arm automatically returns to its original position after the emergency contact reopens or power has been restored.



### Easily accessible components

All the control and drive components necessary for operation are accommodated in the upper housing of the MPP – considerably simplifying commissioning and maintenance.

# MPP



## Turnstile

- > Robust turnstiles for high throughput frequencies
- > Optional drop-arm mechanism permits passage in case of power cut or alarm
- > High-quality stainless steel housing for indoor or outdoor use
- > Simple integration of all common access control systems
- > Designed for 10 million throughput cycles

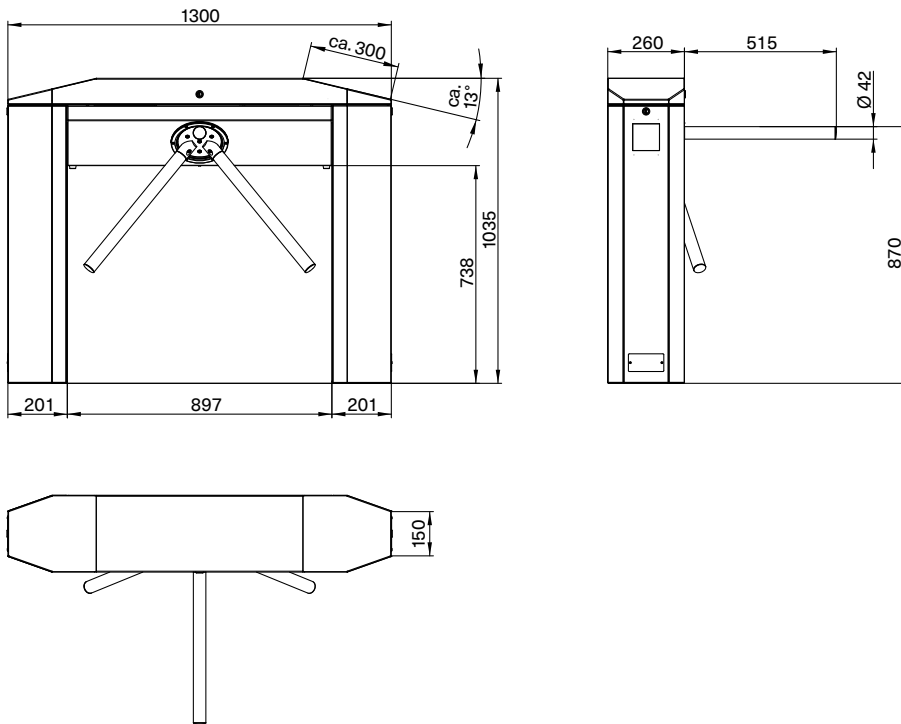


Technical data	MPP 122	MPP 222	MPP 112	MPP 212	MPP 132	MPP 232
Application	Indoor	Outdoor	Indoor	Outdoor	Indoor	Outdoor
Housing variant	Long		Short		Tall	
Passage width	515 mm		515 mm		515 mm	
Drive technology	MHTM™		MHTM™		MHTM™	
Voltage	110 – 240 VAC, 50/60 Hz		110 – 240 VAC, 50/60 Hz		110 – 240 VAC, 50/60 Hz	
Power consumption	Max. 65 W		Max. 65 W		Max. 65 W	
Duty cycle	100 %		100 %		100 %	
Housing dimensions (L x W x H)	1300 x 260 x 1035 mm		400 x 300 x 1035 mm		400 x 300 x 1443 mm	
Enclosure rating	IP 32	IP 44	IP 32	IP 44	IP 32	IP 44
Weight	Approx. 60 kg		Approx. 40 kg		Approx. 45 kg	
Temperature range	-25 to +50 °C		-25 to +50 °C		-25 to +50 °C	

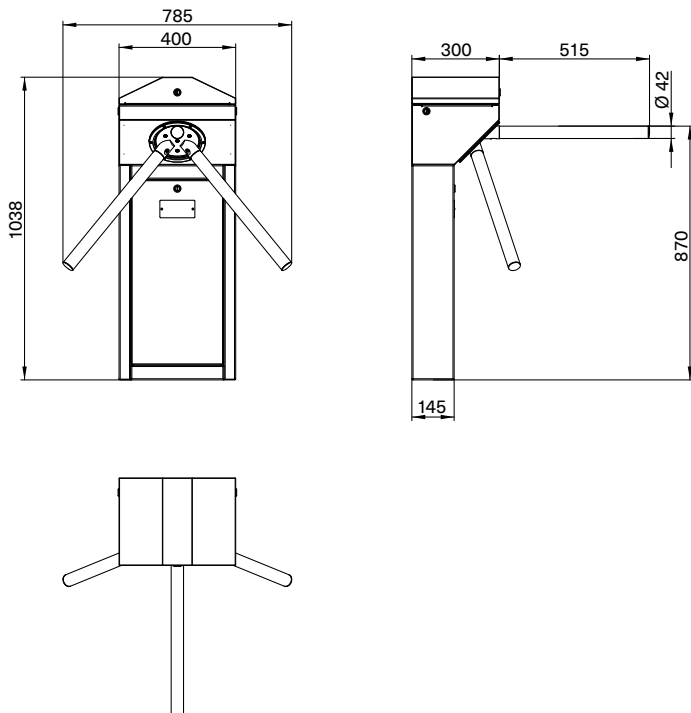
Options	
Barrier elements	Barrier arm with drop-arm technology
Components	Heating, throughput display, coin validator, cash register system
Housings	Adaptations to customer-specific access control systems
Extensions	Railings, railings with glass pane, railings with knee rail

Potential applications	
	

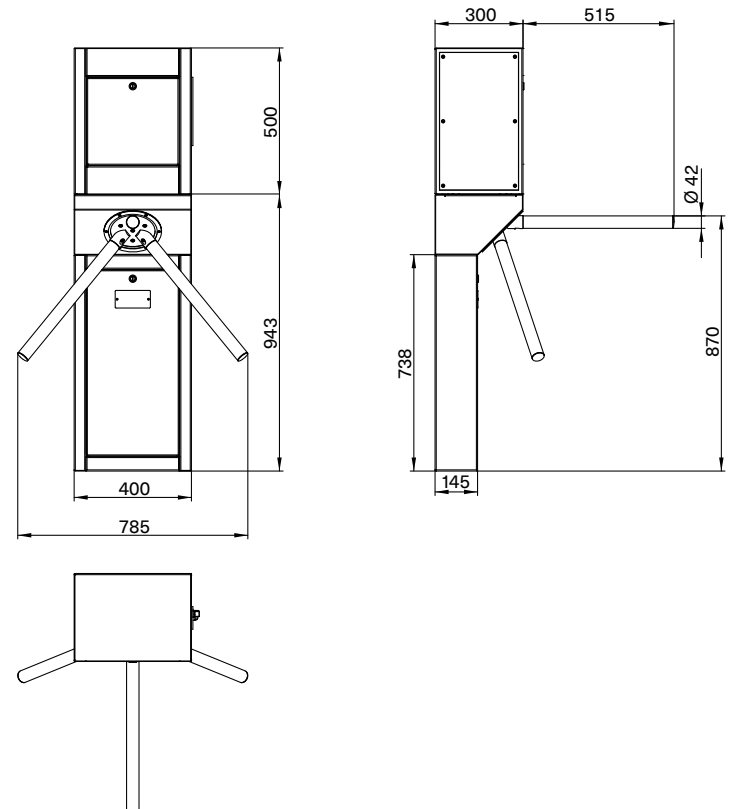
MPP 122/222



MPP 112/212



MPP 132/232



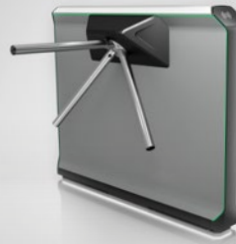
# Access to Progress

Magnetic stands for pioneering products – in every way. Our access control systems for vehicles or pedestrians clear the way for thousands of people every day – at car parks, toll gates, stations, airports and in buildings. Our technology is also pioneering, however: with innovative drives, intelligent control systems and well thought-out details it provides maximum safety and longevity. Are you also on the path to Magnetic?



## Vehicle barriers

Access barriers  
Parking barriers  
Toll barriers  
Special barriers



## Pedestrian gates

Turnstiles  
Swing gates  
Tripod gates  
Retractable gates  
Wing gates



## Terminals

Cars  
Trucks

*Germany*  
**MAGNETIC AUTOCONTROL GMBH**  
Grienmatt 20  
79650 Schopfheim  
Phone +49 7622 695-5  
Fax +49 7622 695-800  
E-mail [info@magnetic-germany.com](mailto:info@magnetic-germany.com)

*Australia*  
**MAGNETIC AUTOMATION PTY LTD**  
38 Metrolink Circuit  
Campbellfield, VIC 3061  
Phone +61 3 9339 2900  
E-mail [info@magnetic-oz.com](mailto:info@magnetic-oz.com)

*Austria*  
**FAAC GMBH**  
Münchner Bundesstraße 123  
5020 Salzburg  
Phone +43 662 853395-0  
E-mail [at.info@faacgroup.com](mailto:at.info@faacgroup.com)

*Benelux countries*  
**FAAC BENELUX NV/SA**  
Industriezone 3B  
8490 Jabbeke  
Belgium  
Phone +32 50 320202  
E-mail [info@magnetic-benelux.com](mailto:info@magnetic-benelux.com)

*Brazil*  
**MAGNETIC AUTOCONTROL LTDA**  
Av. Salim Antônio Curiati, 136  
04690-050 – São Paulo  
Phone +55 11 5660 8500  
E-mail [info@magnetic-br.com](mailto:info@magnetic-br.com)

*China*  
**MAGNETIC CONTROL SYSTEMS CO., LTD**  
No. 3 Building, No. 51  
Lane 1159, Kang Qiao (East) Road  
Kang Qiao Industrial Zone, Shanghai  
Phone +86 21 68182970  
E-mail [info@magnetic-cn.com](mailto:info@magnetic-cn.com)

*France*  
**FAAC FRANCE**  
377 Rue Ferdinand Perrier  
69808 St Priest Cedex  
Phone +33 4 72 21 86 89  
E-mail [info@magnetic-fr.com](mailto:info@magnetic-fr.com)

*India*  
**MAGNETIC AUTOCONTROL PVT LTD.**  
PRS Centre  
Plot No. 373 to 376, 2nd Floor (West Wing)  
1st Cross Street, Nehru Nagar  
Old Mahabalipuram Road  
Kottivakkam (Opp Rayala Technopark, Perungudi)  
Chennai 600041  
Phone +91 44 421 23297  
E-mail [info@magnetic-india.com](mailto:info@magnetic-india.com)

*Middle East*  
**FAAC MIDDLE EAST FZE**  
Dubai Silicon Oasis  
PO Box 54886  
Dubai  
United Arab Emirates  
Phone +971 4 3724193  
E-mail [info@magnetic-uae.com](mailto:info@magnetic-uae.com)

*N. and S. America (excl. Brazil)*  
**FAAC INTERNATIONAL, INC**  
3160 Murell Road  
Rockledge, FL 32955  
USA  
Phone +1 321 635 8585  
E-mail [info@magnetic-usa.com](mailto:info@magnetic-usa.com)

*Scandinavia*  
**FAAC NORDIC AB**  
Box 125  
284 22 Perstorp  
Sweden  
Phone +46 435 77 95 03  
E-mail [info@magnetic-nordic.com](mailto:info@magnetic-nordic.com)

*Southeast Asia*  
**MAGNETIC CONTROL SYSTEMS SDN. BHD**  
No. 17, Jalan Anggerik Mokara 31/54  
Taman Perindustrian Kota Kemuning  
40460 Shah Alam  
Selangor Darul Ehsan  
Malaysia  
Phone +60 3 5123 0033  
E-mail [info@magnetic-malaysia.com](mailto:info@magnetic-malaysia.com)