



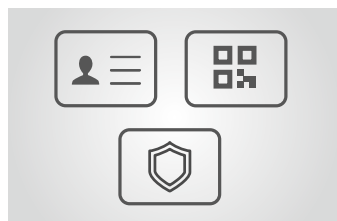
The versatile solution for your access control application

Time recording in companies, ticket control in museums, access control to staff areas and lounges in train stations and airports. Every access application has its specific requirements – and mFlow offers versatile solutions for each. This is due to the modular design: mFlow is based on the Momentum[®] Serie, which allows readers, biometric scanners and additional displays to be seamlessly integrated into the pedestrian gates. With barrier elements of different heights or widths, barrier-free or particularly secure passageways are enabled. mFlow also gives you the choice of design: The timeless shape with the glass elements

opens up the view into the building, and with lighting elements on the floor and on the frame edges you can highlight the passage as a central element. With numerous special colours, you can adapt mFlow individually to the architecture of your building.

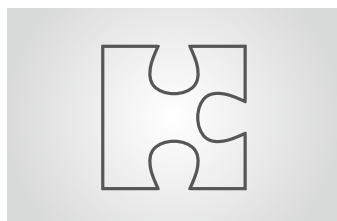
Common to all mFlow is the intuitive, comprehensively monitored passage process, the simple replacement of the central components and the drive and control technology from Magnetic that has been tried and tested more than 200,000 times.

Rely on mFlow and get flow into your application!



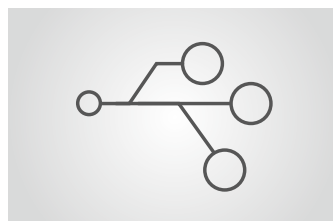
Numerous applications

Companies, cultural institutions, train stations and airports: mFlow offers a fast and reliable access control solution for all these applications – flexibly adapted to your individual requirements.



Comprehensive customisation

mFlow has a modular design and can be flexibly adapted to the requirements on site – in terms of design and biometrics as well as integration into the building and its digital infrastructure.



Simple integration

mFlow provides the hardware for your digital security architecture. The pedestrian gates can be equipped with all common reading devices and can be easily integrated into existing security and data processing systems through a variety of interfaces.



Innovative drive technology

The drive and control units are Magnetic's core technology. With its low-energy approach, the Magnetic Safety Drive System MSDS[®] combines high efficiency and economical operation with maximum personal safety.

mFlow

Pedestrian passageway with wing gates

- › High people throughput speeds up access processes considerably
- › Seamless integration into all building and security infrastructures
- › Easy maintenance and retrofitting due to modular design
- › Configuration according to individual requirements
- › Maximum passenger safety due to Magnetic Safety Drive System MSDS® with low-energy drive
- › Designed for 10 000 000 opening and closing cycles



Technical data	mFlow
Application	Indoor
Passage width	Standard: 600 mm Wide lane: 900 mm (more on request)
Height of barrier elements	Standard: 1000 mm (more on request)
Opening/closing time	0.6–1.0 s ¹
Flow ratings (number of persons per minute)	40 PAX/min ²
Drive technology	MHTM™
Control system	MGC plus
Parameter setting	Via API or web-UI
Power consumption	Maximum 250 W ³
Housing material	Aluminium and sheet steel powder-coated Stainless steel (on request)
Enclosure rating	IP32
Housing dimensions (L x H x W)	1800 x 1000 x 160 mm
Weight	A unit: approx. 110 kg B unit: approx. 140 kg C unit: approx. 160 kg
Temperature range	0 to +40 °C

¹ Depending on barrier element dimension; opening and closing times limited by low-energy drive and technical specifications for maximum impact forces.

² Depending on reader, lock setting, person behaviour.

³ Power consumption refers exclusively to Magnetic components.

Options

Easy integration of RFID, document and barcode readers and other common systems for checking access authorisation

Biometric devices

Key switch (different functional assignments possible)

Buzzer for acoustic signalling

Failure locking for power failures

Guidance lights (RGB)

Frame edge and floor illumination

Customised glass panels (tinted/clear)

Potential applications



Standard colours (special colours on request)



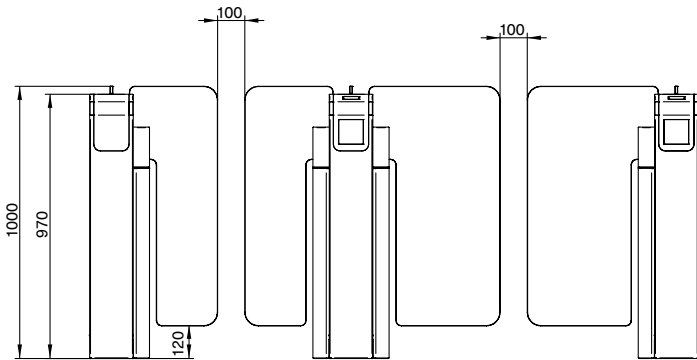
Pure white, smooth glossy
(RAL 9010)



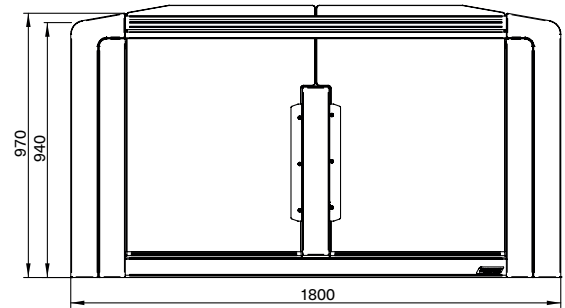
Jet black, fine structure matt
(RAL 9005)

Dimensional drawings

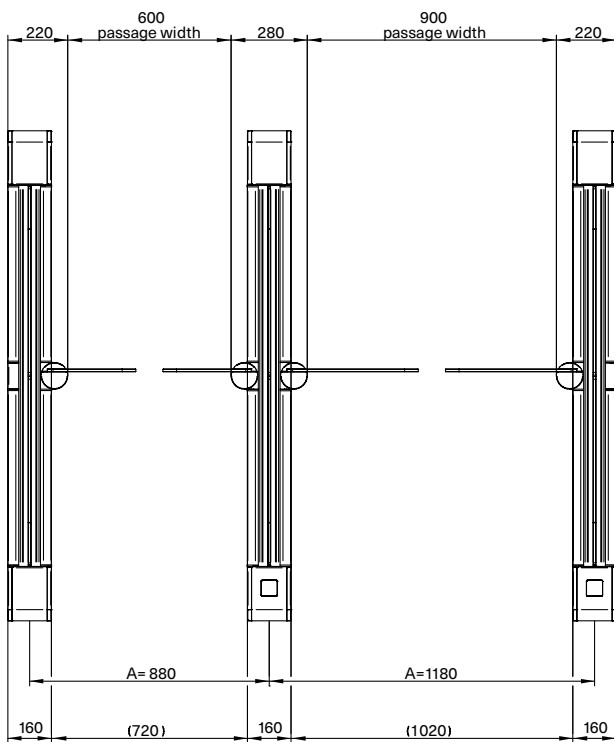
mFlow (2-line configuration) – front view



mFlow (2-line configuration) – side view



mFlow (2-line configuration) – top view



mFlow with frame edge and floor illumination



Access to Progress

Magnetic stands for pioneering products – in every way. Our access control systems for vehicles or pedestrians clear the way for thousands of people every day – at car parks, toll gates, stations, airports and in buildings. Our technology is also pioneering, however: with innovative drives, intelligent control systems and well thought-out details it provides maximum safety and longevity. Are you also on the path to Magnetic?



Vehicle barriers

Access barriers
Parking barriers
Toll barriers
Special barriers



Pedestrian gates

Turnstiles
Swing gates
Tripod gates
Retractable gates
Wing gates



Terminals

Cars
Trucks

Germany
MAGNETIC AUTOCONTROL GMBH
Grienmatt 20
79650 Schopfheim
Phone +49 7622 695-5
Fax +49 7622 695-800
E-mail info@magnetic-germany.com

Australia
MAGNETIC AUTOMATION PTY LTD
38 Metrolink Circuit
Campbellfield, VIC 3061
Phone +61 3 9339 2900
E-mail info@magnetic-oz.com

Austria
FAAC GMBH
Münchner Bundesstraße 123
5020 Salzburg
Phone +43 662 853395-0
E-mail at.info@faacgroup.com

Benelux countries
FAAC BENELUX NV/SA
Industriezone 3B
8490 Jabbeke
Belgium
Phone +32 50 320202
E-mail info@magnetic-benelux.com

MAGNETIC AUTOCONTROL GMBH
www.magnetic-access.com

Brazil
MAGNETIC AUTOCONTROL LTDA
Rua Toledo Barbosa, 491
03061-000 Belenzinho
São Paulo - SP
Phone +55 11 5660 8500
E-mail info@magnetic-br.com

China
MAGNETIC CONTROL SYSTEMS CO., LTD
No. 3 Building, No. 51
Lane 1159, Kang Qiao (East) Road
Kang Qiao Industrial Zone, Shanghai
Phone +86 21 68182970
E-mail info@magnetic-cn.com

France
FAAC FRANCE
377 Rue Ferdinand Perrier
69808 St Priest Cedex
Phone +33 4 72 21 86 89
E-mail info@magnetic-fr.com

India
MAGNETIC FAAC INDIA PVT LTD.
2/79, Rajiv Gandhi Salai (OMR)
(Before Sangeetha Restaurant)
Oggiyam Thoraipakkam,
Chennai 600041
Phone +91 44 421 23297
E-mail info@magnetic-india.com

Ireland
NATIONAL AUTOMATION LTD
Boyle Business Park,
Boyle, Co. Roscommon
F52 V590
Phone + 353 71 9663893
E-mail sales@nai.ie

Italy
FAAC S.P.A. SOC. UNIPERSONALE
Via Calari, 10
40069 Zola Predosa (BO)
Phone +39 05161724
controlloaccessi@faactechnologies.com

Middle East
FAAC MIDDLE EAST FZE
Dubai Silicon Oasis
PO Box 54886
Dubai
United Arab Emirates
Phone +971 4 3724193
E-mail info@magnetic-uae.com

N. and S. America (excl. Brazil)
FAAC INTERNATIONAL, INC
3160 Murell Road
Rockledge, FL 32955
USA
Phone +1 321 635 8585
E-mail info@magnetic-usa.com

Scandinavia
FAAC NORDIC AB
Box 125
284 22 Perstorp
Sweden
Phone +46 435 77 95 03
E-mail info@magnetic-nordic.com

Southeast Asia
MAGNETIC CONTROL SYSTEMS SDN. BHD
No. 17, Jalan Anggerik Mokara 31/54
Taman Perindustrian Kota Kemuning
40460 Shah Alam
Selangor Darul Ehsan
Malaysia
Phone +60 3 5123 0033
E-mail info@magnetic-malaysia.com

Spain
CLEM, S.A.U.
Avda. de la Fuente Nueva, nº 12 –
Nave 8–18
28703 San Sebastián de los Reyes
Madrid
Phone: +34 91 358 11 10
E-mail: info@clem.es

United Kingdom
FAAC (UK) LIMITED
Unit 10 The Hatch Industrial Park,
Greywell Road,
Mapledurwell, Basingstoke, Hampshire,
RG24 7NG
Phone 01256 318100
E-mail sales@faac.co.uk